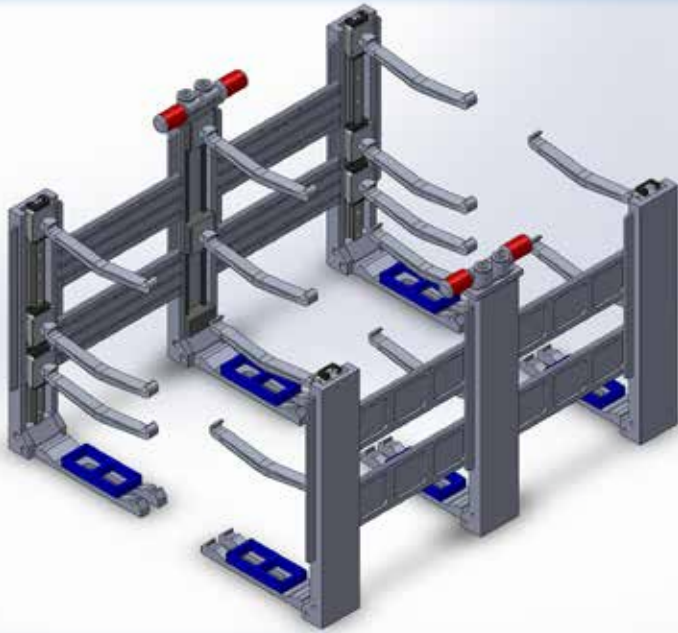


Stackable Stretcher System

by Aero Medical Products

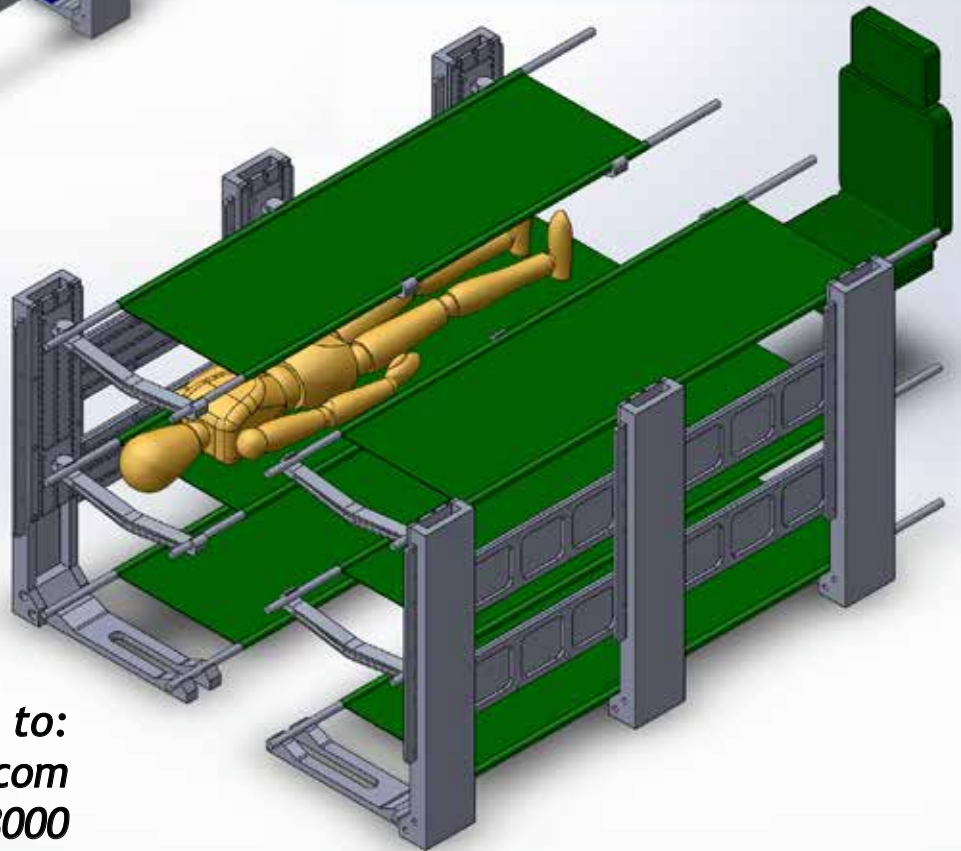


*Power Lift System
for fixed wing or helicopters*

Customizable - Adaptable

*Easy loading of patient
at waist level*

Manufactured in the U.S.A
by our PMA staff using
quality aircraft aluminum
and composites.



*Send your specification to:
sales@MedicalAircraft.com
or call 1.262.335.8000*

AeroMedical

AERO MEDICAL PRODUCTS CO., Inc.

2230 Stonebridge Road, West Bend, Wisconsin - USA 53095 - 1.262.335.8000